

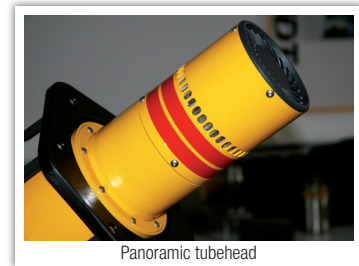
BALTOSPOT LLX200-PA



High voltage range:	5 to 200kV
Tube current range:	0,5 to 12 mA
Beam angle:	360° x 40°
Inherent Filtration (mm):	0,8 Be
Anode cooling type:	Air
Duty cycle:	100%
Insulation:	SF6 gas
Mains:	180 - 260V
Temp. switch:	70°C
Weight (without rings):	18,1 kg
Tubehead:	Metal-Ceramic
Control Unit:	DC1 or Hand-XD

MAIN FEATURES

- Extremely stable dose output
- Constant potential high frequency generator
- Current up to 12 mA
- Panoramic metal-ceramic tubehead
- Factory setted beam homogeneity
- Easy adaptation to crawler
- Energy recovery module
- Safety first, x-ray start with 2 buttons
- Serial link through RS232



Panoramic tubehead

KEY ADVANTAGES

- Low weight
- Ergonomic rubber handle
- Extremely small head diameter
- Full automatic preheating process
- Low power requirement
- Cables with reduced size and weight
- Can be delivered with our 900g Hand-XD including a Geiger-Müller detector
- Works on power generator
- CANON mil. metallic connectors

MOST COMMON APPLICATIONS

- Shipyard building & Building sites
- Petrochemical & Power plants
- Tanks, reservoirs & pressure vessels
- Small enclosure x-ray
- Aeronautics
- Oil & Gas
- Conventional films

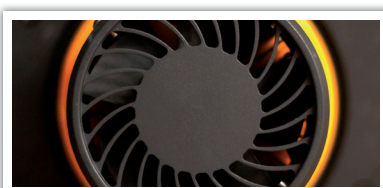


Completing its range of very lightweight and powerful portable X-ray generators, Balteau NDT is adding the panoramic version of its well known LLX Series.

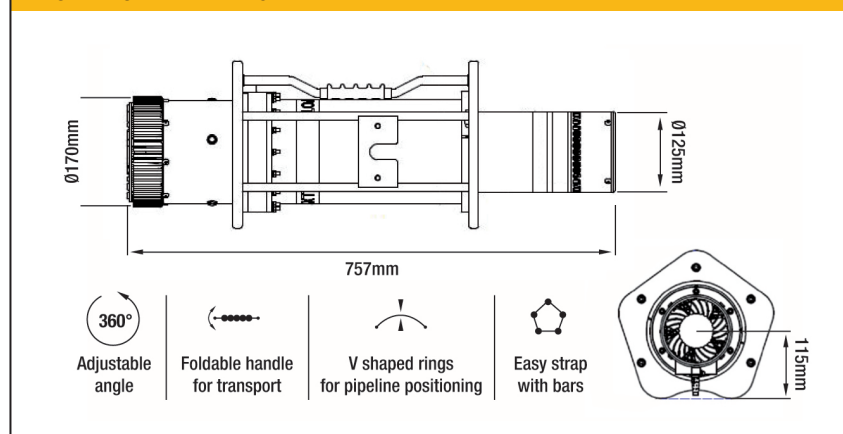
Air cooled and actively powerful with the smallest carbon footprint of its generation, LLX200-PA will satisfy your most complex applications and expectations.

Used in Aerospace business mostly, this compact unit can also be used in piping industry, Oil & Gas, tank, etc.

The innovative cradle will help you to not only transport this unit easily but also to adopt any position as required by your daily jobs.



MECHANICAL DRAWING



LLX is controlled by a full digital control unit (DC1) using the energy saving concept of the BALTOSPOT series and our well known Hand-X® wireless remote control that is also available for your best safety.

INTERNATIONAL

- CE certified
- NFC74-100 LCIE Certified

Specifications	Units	LLX200-PA-0
High voltage range:	kV	5 - 200
Tube current range:	mA	0,5 - 12
Maximum anode power dissipation:	Watt	600
Beam angle:		360° x 40°
Focal spot size (EN12543):	mm	0,4 x 4
Steel penetration at max (*):	mm	35
Max recommended temp.:	°C	50°
Temperature switch:	°C	70°
Inherent filtration:	mm	0,4 Fe/Ni/Co
Anode cooling type:		Air
Duty cycle:	%	100
Mains:	V	180 - 260
Weight (without rings):	Kg	18,1
Tubehead:		Metal-Ceramic
Control unit:		DC1 or Hand-XD

* FFD= 700mm/Film Carestream Industrex AA400/D=2.0/t=10min.



DC1

- kV min step: **1**
- mA min step: **0,1**
- Time min step: **1 sec up to 99min 59sec**
- Memories: **100 last exposure/memories**
- Display: **4 lines, green back lighting**
- Mains: **170-260 V**
- Weight: **9,2kg**

STANDARD EQUIPMENT

- Internal pressure gauge
- Heavy duty lock type connector
- 20m connecting cable for control unit
- 10m power cable
- Cradle with heavy duty hand rings
- Holder for centering device filter & diaphragm
- Bag for accessories



Hand-XD (Wireless remote control)

- kV min step: **1**
- mA min step: **0,1**
- Time min step: **1 sec up to 99min 59sec**
- Memories: **100 last exposure/memories**
- Display: **4 lines, green back lighting**
- Battery: **8h charge capacity**
- Weight: **900g**

OPTIONAL EQUIPMENT

- Lead shutter
- AVARA/P
- Warning flashing light & repeater
- Transport case
- 4 legs adjustable stand
- Hydraulic stand
- 100-260 V adapter
- RS232 link

Produced by:

Balteau NDT

Rue Voie de Liège, 12
B-4681 Hermalle Sous Argenteau
Belgium

www.balteau.com

balteau@balteau.com

Tel. +32 (0) 4 374 75 75

Fax +32 (0) 4 374 75 85

Distributed by:

