

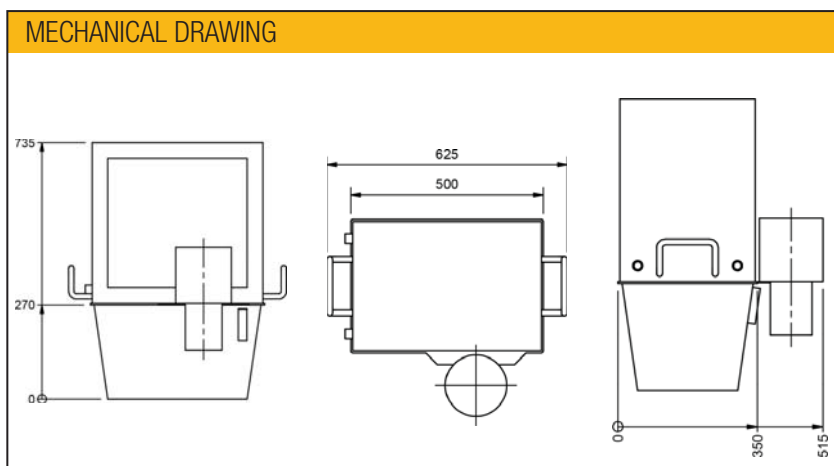
BALTOGRAPH OACU4500



Dimensions:	750 x 350 x 650
Weight:	54 kg
Coolant capacity:	23 l
Cooling capacity:	4500 W
Oil flow:	> 23 l/min
Mains voltage:	230 V
Current consumption:	2,5A
Noise level:	63 dBA
Max. forward pressure:	9 + 0,5 - 0,2 bar
Operating temp.:	From -10 to +40°C

Oil Air Cooling Unit : It is an essential device which role is to cool the anode of the tubehead when X-rays are produced.

Units are compact and powerful to assure both the cooling capacity and the sufficient flow rate to quickly remove calories from the anode.



Specifications	Units	OACU4500
Dimensions (L x W x H)	mm	750 x 350 x 650
Weight (without filling)	mm	54
Coolant capacity	l	23
Cooling capacity	W	4500
Oil flow (at 3,5 bar)	l/min	> 23
Mains voltage	V	230 (50/60Hz)
Current consumption	A	2,5
Noise level	dB(A)	63 (50Hz) / 67 (60Hz)
Operating temperature	°C	From - 10 to + 40
Storage temperature	°C	From - 25 to + 70
Air humidity	%	90
Maximum forward pressure	bar	9,0 + 0,5 - 0,2
Flow switch open	l/min	17,0 +/-3
Thermal switch open	°C	55 +/-3

Produced by:

Balteau NDT
Rue Voie de Liège, 12
B-4681 Hermalle Sous Argenteau
Belgium

www.balteau.com
balteau@balteau.com
Tel. +32 (0) 4 374 75 75
Fax +32 (0) 4 374 75 85

Distributed by:

