

BALTOGRAPH TSC200/0



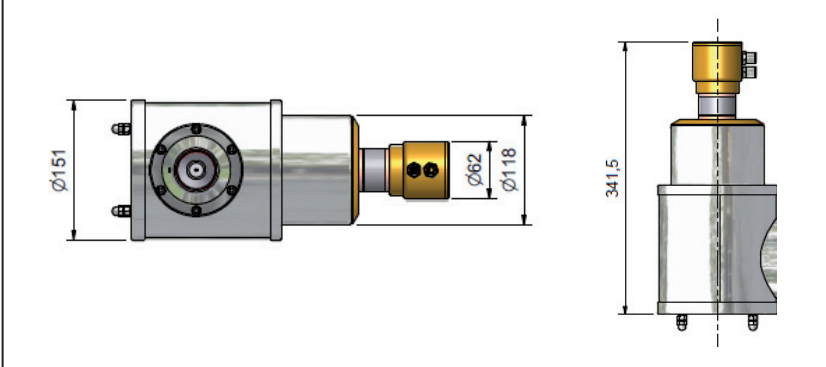
Max high voltage:	200 kV
Nominal power:	600
Focal spot size (EN12543):	4 x 0,4
Beam angle:	360° x 40°
Target angle:	22°
Inherent Filtration (mm):	0,4 Fe/Ni/Co
Anode cooling type:	Water
Cooling flow rate:	4l/min
Leakage:	NA
Max current:	10 mA
Weight :	13 kg
Tubehead:	Metal Ceramic

The TSC200/0 is a panoramic monocular tube specifically developed by Balteau NDT. Designed for the inspection of pneumatic, tank or all other hollow components. This tube is particularly suitable for applications using optical magnification, for light material, for small to medium thicknesses or even for the radioscopy.

The maximum outside diameter of the shaft makes hardly 150mm. The tube can thus be used in restricted spaces. The HV cable maybe either angled, or straight with an R24 standard connector.

This tube can be used with all brands of generators provided that their load curves can be adapted. Contact our specialists for more information.

MECHANICAL DRAWING



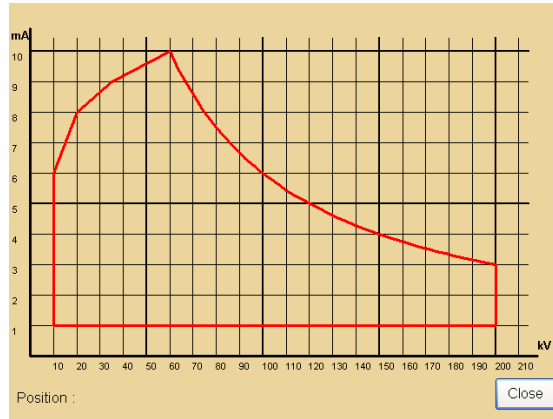
Specifications

Max. High voltage	kV	200	Nominal power	W	600
Tube type		Metal Ceramic	Inherent filtration	mm	0,4 Fe/Ni/Co
Beam angle		360° x 40°	Target angle		22°
Cooling mode		Water	Leakage *	mSv/h @1m	NA
HV Connector		R24	Cooling flow rate	l/min	4
Part number		08200210	Weight	Kg	13

Small Focal			Large Focal		
Max. Current @ kV Max.	mA	3	Max. Current @ kV Max.	mA	-
Focal spot EN12543	d	4 x 0,4	Focal spot EN12543	d	-
Max. Current	mA	10	Max. Current	mA	-

* Leakage radiation max at 1m in mSv/h at nominal kV

Load curve



SMALL FOCAL

Load curves are indicative as they display the theoretical capacity of the target that may be modified by the HV generator connected and/or by user's settings. Please consult our engineers for up to date information and data related to your generator.

STANDARD EQUIPMENT

Part designation

Fitting for water hose connections d=8 and d=12 mm

OPTIONAL ACCESSORIES

Part designation

Quick flanges with key

Tube accessories support

Lead diaphragm

Four legs stand

Contact details

Balteau NDT

Rue Voie de Liège, 12
B-4681 Hermalle Sous Argenteau
Belgium

www.balteau.com

balteau@balteau.com

Tel. +32 (0) 4 374 75 75

Fax +32 (0) 4 374 75 85

Distributed by:

