

BALTOGRAPH TSD100/1



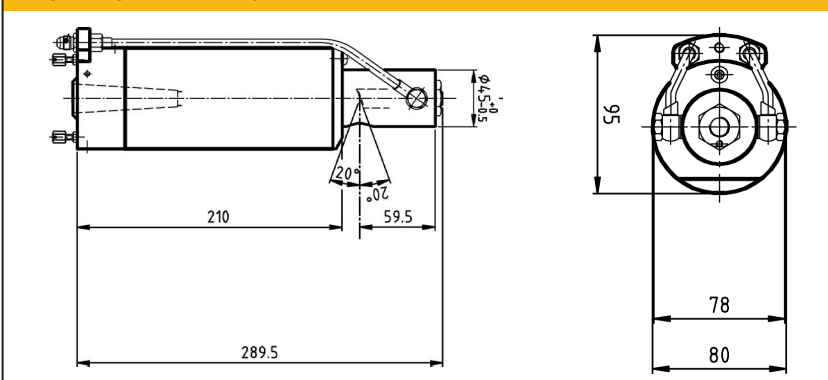
Max high voltage:	<b>100 kV</b>
Nominal power:	<b>1000</b>
Focal spot size (EN12543):	<b>3</b>
Beam angle:	<b>40°</b>
Target angle:	<b>20°</b>
Inherent Filtration (mm):	<b>0,8 Be</b>
Anode cooling type:	<b>Water</b>
Cooling flow rate:	<b>4l/min</b>
Leakage:	<b>2,5mSv/h@1m</b>
Max current:	<b>24 mA</b>
Weight :	<b>3,5 kg</b>
Tubehead:	<b>Metal Ceramic</b>

The TSD 100-1 is a universal Monopolar tube for light alloys, composites or for small to medium steel thicknesses. This light tube allows you to reach the power of 1kW. The outside diameter of the housing is smaller than 100 mm. This is the ideal solution for applications even with tiny space.

The tube shielding is internal and reduces the radiation leakage to less than 1 R/h @ 1 m as required by International standards. In and out fluid inlets are mounted with universal connectors while the HV plug cone is a R10.

This tube can be used with all brands of generators provided that the load curves can be adapted. See our specialists if you intend to connect this tube to another unit than a BALTEAU.

MECHANICAL DRAWING



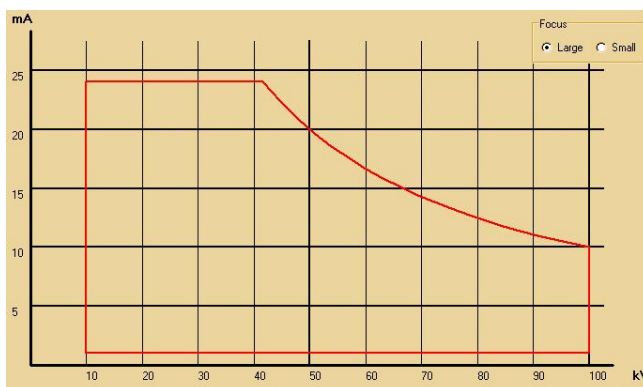
Specifications

Max. High voltage	kV	100	Nominal power	W	1000
Tube type		Metal Ceramic	Inherent filtration	mm	0,8 Be
Beam angle		40°	Target angle		20°
Cooling mode		Water	Leakage *	mSv/h @1m	2,5
HV Connector		R10	Cooling flow rate	l/min	4
Part number		04840560	Weight	Kg	3,5

Small Focal			Large Focal		
Max. Current @ kV Max.	mA	10	Max. Current @ kV Max.	mA	-
Focal spot EN12543	d	3	Focal spot EN12543	d	-
Max. Current	mA	24	Max. Current	mA	-

\* Leakage radiation max at 1m in mSv/h at nominal kV

Load curves



SMALL FOCAL

Load curves are indicative as they display the theoretical capacity of the target that may be modified by the HV generator connected and/or by user's settings. Please consult our engineers for up to date information and data related to your generator.

STANDARD EQUIPMENT

Part designation

Fitting for water hose connectors d=8 and d=12mm.

OPTIONAL ACCESSORIES

Part designation

Quick flanges with key

Tube Accessories Support

Lead diaphragm

Tube collimator

Contact details

Balteau NDT

Rue Voie de Liège, 12  
B-4681 Hermalle Sous Argenteau  
Belgium

www.balteau.com

balteau@balteau.com

Tel. +32 (0) 4 374 75 75

Fax +32 (0) 4 374 75 85

Distributed by:

