

BALTOGRAPH TSD420/OA



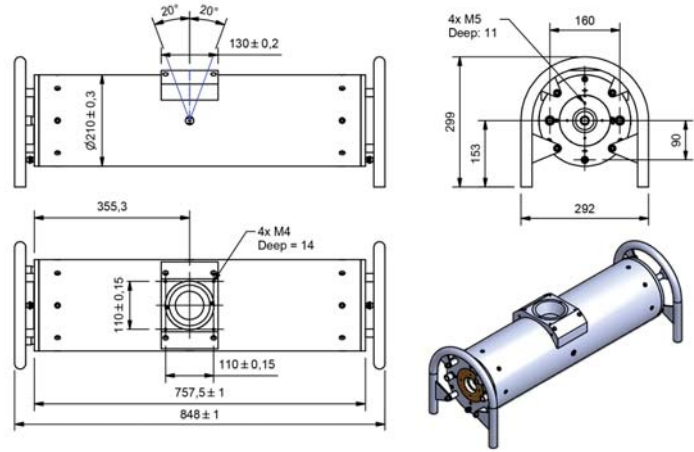
| | |
|----------------------------|----------------------|
| Max high voltage: | 420 kV |
| Nominal power: | 900 / 4500 |
| Focal spot size (EN12543): | 2,5 - 5,5 |
| Beam angle: | 40° |
| Target angle: | 30° |
| Inherent Filtration (mm): | 3 + 2 Be |
| Anode cooling type: | Oil |
| Cooling flow rate: | 14l/min |
| Leakage: | 10mSv/h@1m |
| Max current: | 10 / 30 mA |
| Weight : | 95 kg |
| Tubehead: | Metal Ceramic |

The TSD420/OA is introducing the series of one of the highest powerful tubes manufactured by BALTEAU. This tube doesn't offer a compromise to power neither to flexibility but is designed for heavy walled and highly absorbing applications mainly. Two independent filaments are giving the possibility to perform inspections up to 4,5 kW on the large filament. Thanks to its beryllium window this tube also delivers soft X-rays for light materials or improved radiographic techniques.

The tube shielding is internal and reduces the radiation leakage to less than 10 R/h @ 1 m as required by International standards. In and out fluid inlets are mounted with universal connectors while the two HV plug cones are R28.

This tube can be used with all brands of generators provided that the load curve can be adapted. See our specialists if you intend to connect this tube to another unit than a Balteau.

MECHANICAL DRAWING



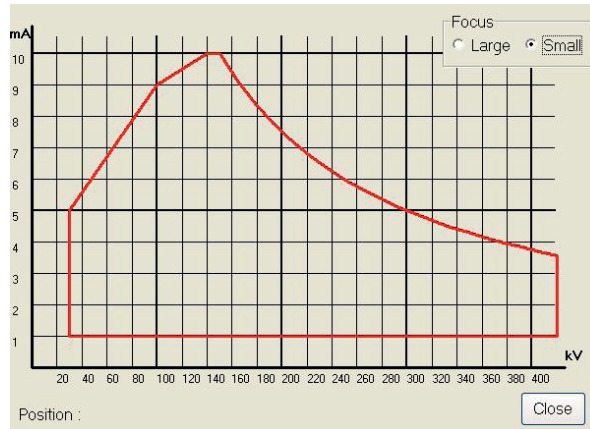
Specifications

| | | | | | |
|-------------------|----|---------------|---------------------|-----------|----------|
| Max. High voltage | kV | 420 | Nominal power | W | 900/4500 |
| Tube type | | Metal Ceramic | Inherent filtration | mm | 3 + 2 Be |
| Beam angle | | 40° | Target angle | | 30° |
| Cooling mode | | Oil | Leakage * | mSv/h @1m | 10 |
| HV Connector | | R28 | Cooling flow rate | l/min | 14 |
| Part number | | 04840390 | Weight | Kg | 95 |

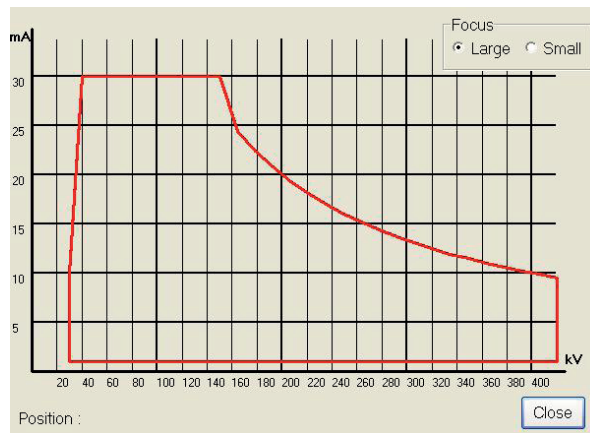
| Small Focal | | | Large Focal | | |
|------------------------|----|-----|------------------------|----|------|
| Max. Current @ kV Max. | mA | 2 | Max. Current @ kV Max. | mA | 10,7 |
| Focal spot EN12543 | d | 2,5 | Focal spot EN12543 | d | 5,5 |
| Max. Current | mA | 10 | Max. Current | mA | 30 |

* Leakage radiation max at 1m in mSv/h at nominal kV

Load curves



SMALL FOCAL



LARGE FOCAL

Load curves are indicative as they display the theoretical capacity of the target that may be modified by the HV generator connected and/or by user's settings. Please consult our engineers for up to date information and data related to your generator.

STANDARD EQUIPMENT

Part designation

Oil hose connector 1/2"

Oil quick connector

OPTIONAL ACCESSORIES

Part designation

Quick flanges with key

90° angled HV plugged cones

Tube Accessories Support

Lead shutter

Universal trolley stand

Tube collimator

Contact details

Balteau NDT

Rue Voie de Liège, 12
B-4681 Hermalle Sous Argenteau
Belgium

www.balteau.com
balteau@balteau.com
Tel. +32 (0) 4 374 75 75
Fax +32 (0) 4 374 75 85

Distributed by:

