

**BALTOGRAPH WCU3000**

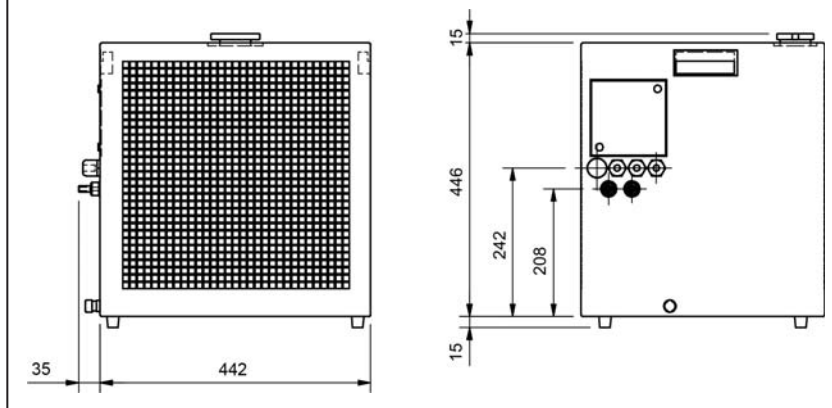


|                        |                         |
|------------------------|-------------------------|
| Dimensions:            | <b>442 x 398 x 446</b>  |
| Weight:                | <b>38,5 kg</b>          |
| Coolant capacity:      | <b>3,7 l</b>            |
| Cooling capacity:      | <b>3000 W</b>           |
| Water flow:            | <b>6 l/min</b>          |
| Mains voltage:         | <b>230 V</b>            |
| Current consumption:   | <b>2,5A</b>             |
| Noise level:           | <b>55 dBA</b>           |
| Max. forward pressure: | <b>8 bar</b>            |
| Operating temp.:       | <b>From +5 to +40°C</b> |

*It is an essential device which role is to cool the anode of the tubehead when X-rays are produced.*

*Units are compact and powerful to assure both the cooling capacity and the sufficient flow rate to quickly remove calories from the anode.*

**MECHANICAL DRAWING**



**Specifications**

**Units**

|                          |                   |
|--------------------------|-------------------|
| Dimensions (L x W x H)   | mm                |
| Weight (without filling) | kg                |
| Coolant capacity         | l                 |
| Cooling capacity         | W                 |
| Water flow (at 6.0 bar)  | l/min             |
| Mains voltage            | V                 |
| Current consumption      | A                 |
| Noise level              | dB(A)             |
| Operating temperature    | °C                |
| Air flow                 | m <sup>3</sup> /h |
| Storage temperature      | °C                |
| Air humidity             | %                 |
| Maximum forward pressure | bar               |
| Flow switch open         | l/min             |
| Thermal switch open      | °C                |

**WCU3000**

|   |
|---|
| <b>442 x 398 x 446</b>                                    |
| <b>38,5</b>   |
| <b>3,7</b>  |
| <b>3000</b>   |
| <b>6</b>  |
| <b>230 (50/60Hz)</b>                                      |
| <b>2,5</b>  |
| <b>55 (50Hz) / 59 (60Hz) distance 1m in any direction</b> |
| <b>From + 5 to + 40</b>                                   |
| <b>1200</b>   |
| <b>From - 25 to + 70</b>                                  |
| <b>From + 20 to + 80</b>                                  |
| <b>8 (+/-5)</b>   |
| <b>+/- 4</b>  |
| <b>55</b>   |

**Produced by:**

**Balteu NDT**  
Rue Voie de Liège, 12  
B-4681 Hermalle Sous Argenteau  
Belgium

www.balteu.com  
balteu@balteu.com  
Tel. +32 (0) 4 374 75 75  
Fax +32 (0) 4 374 75 85

**Distributed by:**

