

BALTOGRAPH XLMD225



High voltage range:	10 to 225 kV
Tube current range:	0,5 to 12 mA
Tube range:	Up to 225kV
Max. output power:	650 or 1000 W
Anode cooling type:	Water
Duty cycle:	100%
Insulation:	SF6
Voltage:	230 V
Operating temperature:	Up to 50°C
Weight:	142 kg
Tubehead:	Metal Ceramic
Control Unit:	HAND-XD or DC1/B

MAIN FEATURES

- Latest generation technologies
- High frequency constant potential generator
- « Ripple free »
- High duty cycle
- Current up to 12 mA
- Metal-ceramic tube
- Very lightweight mobile unit
- Full automatic preheating
- Very stable output

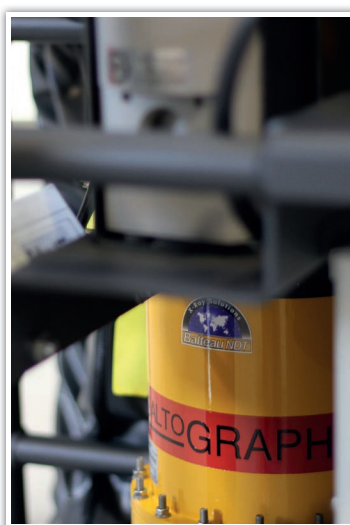


KEY ADVANTAGES

- RS232 interface for computer connection
- Powerful, steadiness & sturdiness
- SF6 insulation HV module
- No oil insulation for hassle free maintenance
- Can be used with panoramic or directional x-ray tubes
- Can drive two individual filament

MOST COMMON APPLICATIONS

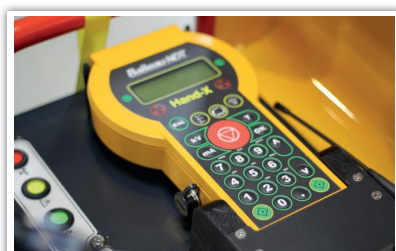
- Oil & Gas
- Energy
- Welding inspection
- Digital applications
- Aeronautical / aerospace / Transport
- Art
- Military
- And much more



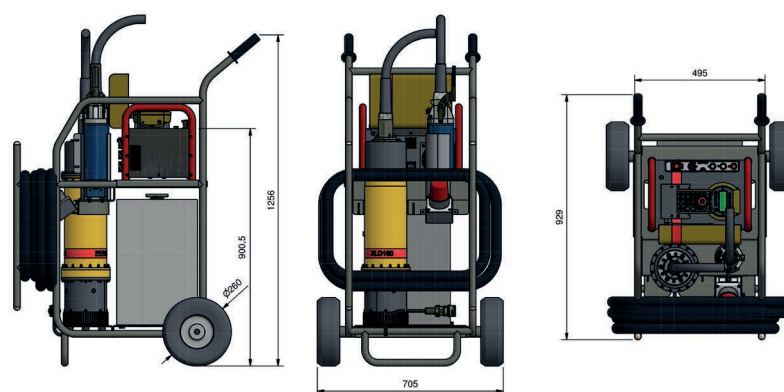
The XLMD225 is a 225kV constant potential generator giving the flexibility of a mobile unit and more accessibility than a portable unit in places where room for the tubehead is reduced.

Lightweight and highly flexible, that makes it the ideal selection for all castings and medium walled steels.

Equipped with the HAND-XD or the DC1/B the XLMD225 will be very easy to use. Both control mode can be driven with the X-Ray Remote Control (XRRC) software.



MECHANICAL DRAWING



The Baltograph XLMD225 is a user friendly X-ray examination system. With accessories such as flat panels and Image Processing Software, this is perfect for digital solution.

INTERNATIONAL

- CE certified

Specifications	Units	XLMD225
High voltage range	kV	10 to 225
Tube current range	mA	0,5 to 12
Tube range	kV	Up to 225
Ripple		0,1% PP
Maximum output power	Watt	650 or 1000
Frequency	Hz	47 - 63
Drive frequency	KHz	30
Operating temperature	°C	0 to 50°C
Output connector		R24
Duty cycle	%	100%
Insulation		SF6
Voltage	V	230 (-15% +10%)
Weight	Kg	142
Tubehead		Metal-Ceramic
Control mode:		HAND-XD or DC1/B

2 CONTROL MODES AVAILABLE

HAND-XD (Stand alone & computer)



The Hand-XD is our well known control unit equipped with a wireless remote control for generators. The Hand-XD can also be controlled by X-Ray Remote Control (XRRC) software.



XRRC is able to control all operations remotely, directly on the computer screen. Allowing you to interact with the mA, kV, start and stop the X-ray from running, view of the tube characteristics and state, start and stop preheating, choose tube focus, load exposure charts, etc.

Main characteristics

- kV step: **1 - 2 - 3**
- mA step: **0,1**
- Casing: **Aluminium case**
- Weight: **9,5 kg + 0,9 kg (remote)**

DC1/B



The DC1/B is made for those who don't need a wireless remote control. It includes all securities and functionalities. It can also be controlled by the XRRC software.

Main characteristics

- kV step: **1 - 2 - 3**
- mA step: **0,1**
- Casing: **Aluminium case**
- Weight: **9,2 kg**

STANDARD EQUIPMENT

- XLD225 generator
- Tubehead : TSD or TSC 225kV
- Control unit : DC1/B or HAND-XD
- XLMD trolley
- A clignotix warning light
- A water cooling unit
- A cable from the generator to the control panel
- A main power cable

OPTIONAL EQUIPMENT

- Avara/P
- RS232 connection for XRRC
- Diaphragm for tubehead
- Shutter for tubehead
- Image Processing Software (IPS012)
- And much more

Produced by:

Balteu NDT

Rue Voie de Liège, 12
B-4681 Hermalle Sous Argenteau
Belgium

www.balteu.com
balteu@balteu.com
Tel. +32 (0) 4 374 75 75
Fax +32 (0) 4 374 75 85

Distributed by:

